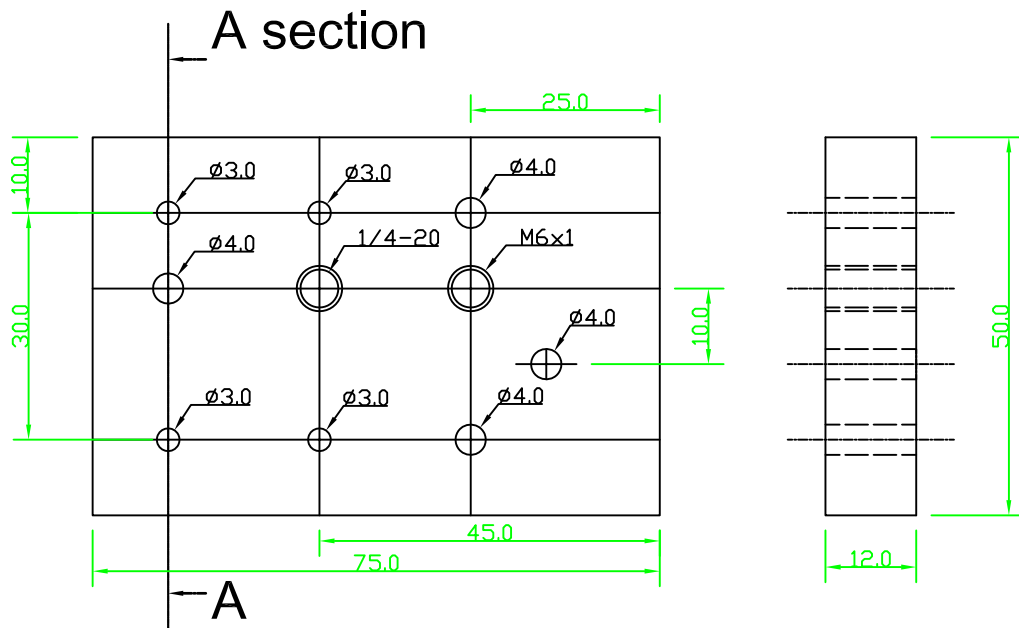
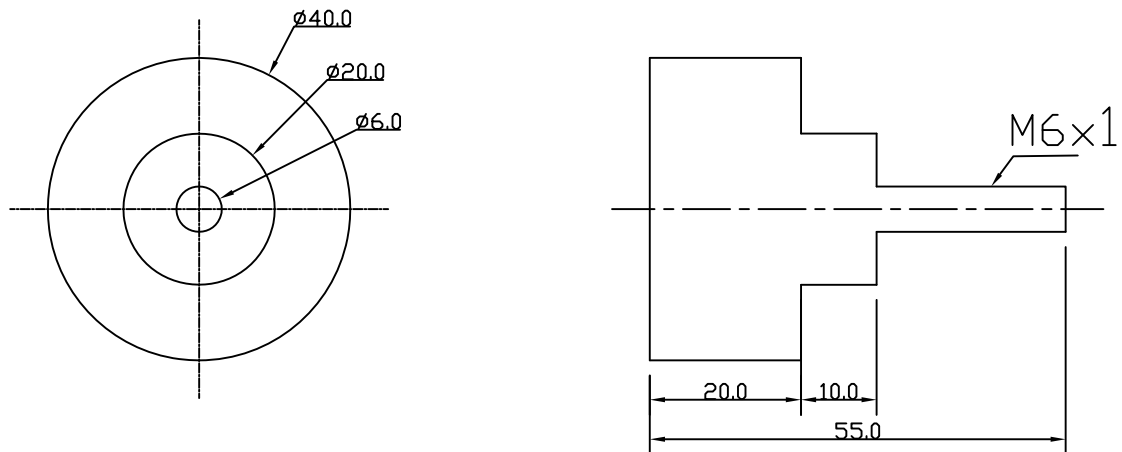


Milling and drilling drawing



Lathe machining drawing



QUANTITY	MATERIAL	Aluminun	SCALE	1:1	UNIT: mm
DESIGNED BY	H.Muhammad.Rizwan	REQUESTED BY	PHY 300		
PHYS LAB (SBASSE) LUMS		PART NAME.	DWG NO		
		Mechanical Workshop Excercise	PRINCIPAL INVESTIGATOR	DR.SABIEH ANWAR	SHEET A4